



200 Universal Dr. • Owosso • MI 48867
989-725-8354 • Fax 989-725-8409
1-800-433-3604



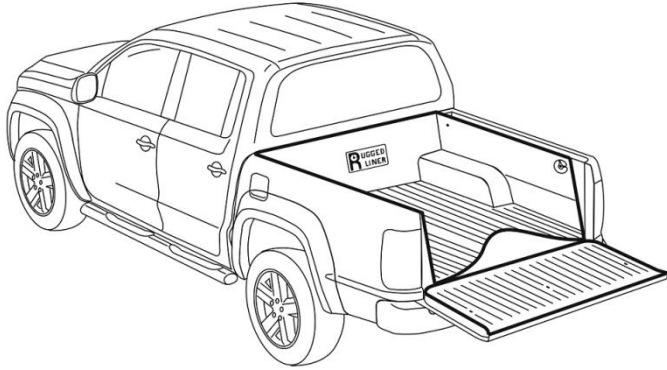
Installation Kit No. LIK-17 (106)

Contents: (2) Clips

INSTALLATION INSTRUCTIONS

Bedliner Installation

- Insert the Bedliner's drivers side wall under the truck bed rail
- Lift center of Bedliner floor in order to insert the passengers side wall under the truck bed rail.



Clip Installation:

- Secure the top rear columns of the bedliner to the truck-box by inserting one plastic clip through each slot in the existing hole in the sheet metal.

